




Technical Standards and Safety Authority
 345 Carlingview Drive
 Toronto, Ontario M9W 6N9
 www.tssa.org

Show facsimile of manufacturer's logo or trademark, as it will appear on the fitting, in the space below



STATUTORY DECLARATION Registration of Fittings

I, Joel Feldman, Vice President of Engineering
(Name and Position, e.g. President, Plant Manager, Chief Engineer)

of Swagelok Company
(Name of Manufacturer)

Located at 29500 Solon Road, Solon, Ohio 44139 USA (440) 248-4600 (440) 349-5970
(Plant Address) (Telephone No.) (Fax No.)

do solemnly declare that the fittings listed hereunder, which are subject to the **Technical Standards and Safety Act**, Boilers and Pressure Vessels Regulation, comply with all of the requirements of ASME B31.1 for unlisted components, and ASME B31.3 for unlisted components
(Title of recognized North American Standard)

which specifies the dimensions, materials of construction, pressure/temperature ratings, identification marking the fittings and service;

or are not covered by the provisions of a recognized North American standard and are therefore manufactured to comply with _____ as supported by the attached data which identifies the dimensions, material of construction, pressure/temperature ratings and the basis for such ratings, the marking of the fitting for identification and service.

I further declare that the manufacture of these fittings is controlled by a quality system meeting the requirements of ISO 9001:2015 which has been verified by the following authority, BSI

The items covered by this declaration, for which I seek registration, are category see BCSA supplement for categ type fittings. In support of this application, the following information and/or test data are attached as follows:
ISO 9001:2015 Certificate, Attachment A, Attachment B, Catalog Information and other Support Documents
(drawings, calculations, test reports, etc.)

Declared before me at SOLON in the STATE of OHIO

the 13 day of MARCH AD 2023.

Commissioner for Oaths:

JEFFREY C TRUMBULL
(Printed name)

[Signature]
(Signature)



JEFFREY C. TRUMBULL
 Notary Public
 State of Ohio
 Recorded in Lake County
 Certificate # 2020-RE-813693
 My Commission Expires
 April 15, 2025

[Signature]
(Signature of Declarer)

FOR OFFICE USE ONLY

To the best of my knowledge and belief, the application meets the requirements of the **Technical Standards and Safety Act**, Boilers and Pressure Vessels Regulation, and CSA Standard B51 and is accepted for registration in Category A.

CRN: _____

Registered by: _____

Dated: _____

NOTE: This registration expires on: Feb 16, 2034

Technical Standards and Safety Authority **Boilers and Pressure Vessels Safety Program**

REGISTERED

C.R.N.: 0A25065.5

Signed: [Signature]

Date: February 16, 2024.

**Information provided in this application is releasable under the Freedom of Information and Privacy Protection Act and may be disclosed upon request.*

Attachment A. Swagelok Manufacturing Locations

This document lists the Swagelok locations where end item or component level manufacturing activities take place.

THIS IS PART OF CRN
0A25065.5
Technical Standards and Safety Authority

Swagelok Company 29500 Solon Road Solon, Ohio 44139 USA	Swagelok Company (HPIs and Pressure Vessels Safety Program) 6050 Cochran Road Solon, Ohio 44139 USA
Swagelok Company (OFC) 29495 F.A. Lennon Drive Solon, Ohio 44139 USA	Swagelok Company (Snow Metal) 6060 Cochran Road Solon, Ohio 44139 USA
Swagelok Precision Machining Services 1924 East 337th Street Eastlake, OH 44095 USA	Swagelok (China) Fluid System Technologies Ltd. Changshu Export Process Zone Changshu Economic Development Zone Changshu, Jiangshu 215513 China
Swagelok Company (Highland) 318 Bishop Road Highland Heights, Ohio 44143 USA	Swagelok Company (Strongsville) 15400 Foltz Road Strongsville, Ohio 44119
Swagelok Company (Atlantic) 26651 Curtiss Wright Parkway Willoughby Hills, Ohio 44092 USA	Swagelok Company (Alfred) 29500 Ambina Drive Solon, Ohio 44139
Swagelok Company (Micro) 26653 Curtiss Wright Parkway Willoughby Hills, Ohio 44092 USA	Swagelok Hose Services Company (SHSC) 29900 Solon Industrial Parkway Solon, Ohio 44139
Swagelok Company (Falon 1) 348 Bishop Road Highland Heights, Ohio 44143 USA	Swagelok Limited Ballafletcher Road Tromode IM4 4RA Isle of Man
Swagelok Company (Falon 2) 358 Bishop Road Highland Heights, Ohio 44143 USA	

Attachment B: Scope of CRN Registration for Swagelok Sampling Body (SB) (Category A)

This document represents the scope of Sampling Body (SB) fittings covered by this submission for CRN approval. This Sampling Body (SB) product is present in the Grab Sampling Valve (GSV) product line. These fittings were designed and evaluated in accordance with ASME B31.1-2020 for unlisted components and ASME B31.3-2020 for unlisted components.

Summary Table

Product Series	Main Pressure Bearing Component	Main Pressure Bearing Material	Port Connections and Sizes	Maximum Rated Pressure (psig)		Design Code of Construction
				@ 100°F	@ Max Temp.	
GSV (SB)	Sample Body (SB)	S31600 / ASTM A479	Tube Adapter 1/4", 6mm Female NPT 1/4" Male NPT 1/4"	3000	1680 @ 1000°F	ASME B31.1 (Unlisted Components) and ASME B31.3 (Unlisted Components)

Note: The low temperature rating (MDMT) of this product is -65°F. This value is above the Minimum Temperature listed in Table A-1 for this material (-325°F).

Product Illustration

Figure 1 – Grab Sampling Valve

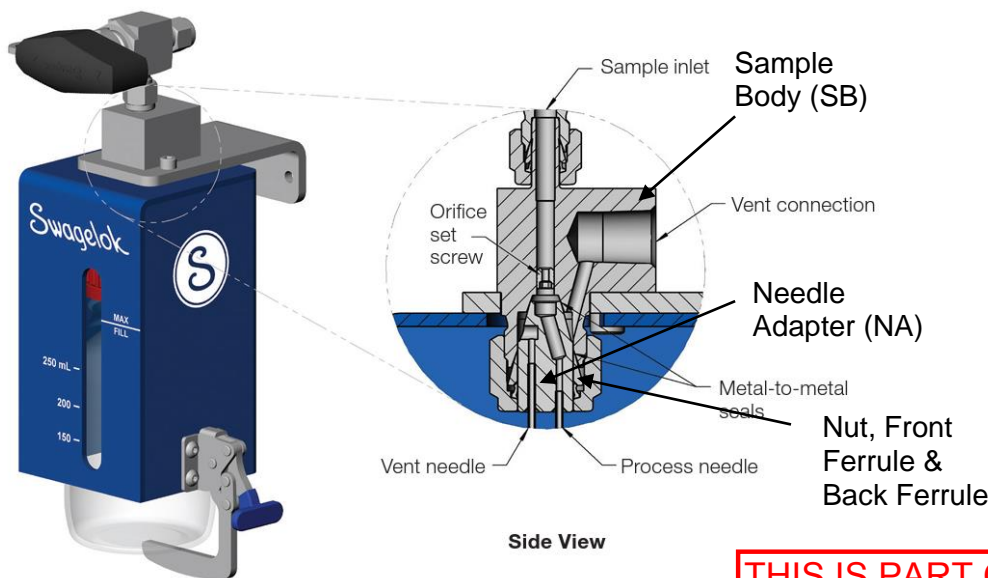
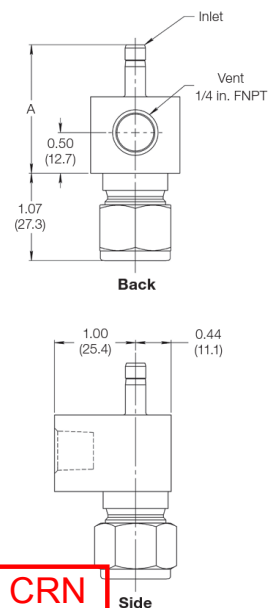


Figure 2 – Sample Body (SB)



THIS IS PART OF CRN
0A25065.5
 Technical Standards and Safety Authority
 Boilers and Pressure Vessels Safety Program

Typical Product Characteristics

No end connections offered for use with the Grab Sampling Body (SB) product have a pressure rating less than the fitting itself.



All of the above end connection options are within the scope of this approval.

Quality System

The Swagelok Company quality system complies with the requirements of ISO 9001:2015. The Swagelok Company maintains British Standards Institution Certificate of Registration Number FM 01729, which applies to all locations listed on the Certificate.

References

The below product catalog does not represent the full scope of registration, but rather details some of the most common applications

- Grab Sampling Station Application Guide, A Swagelok Application Solution MS-02-479

THIS IS PART OF CRN
0A25065.5
Technical Standards and Safety Authority
Boilers and Pressure Vessels Safety
Program